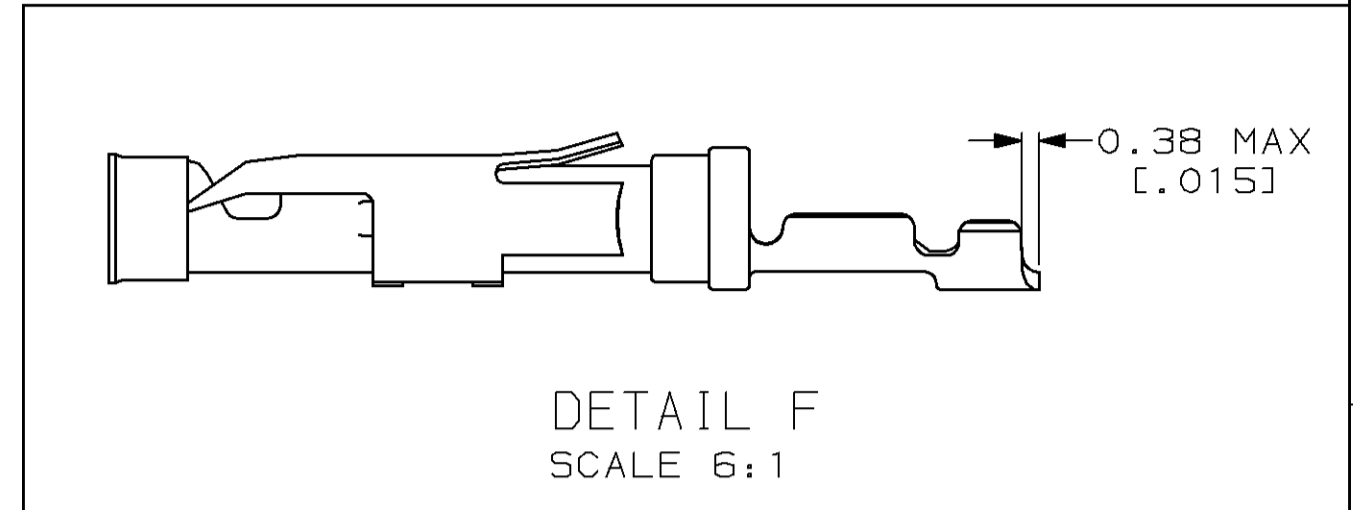
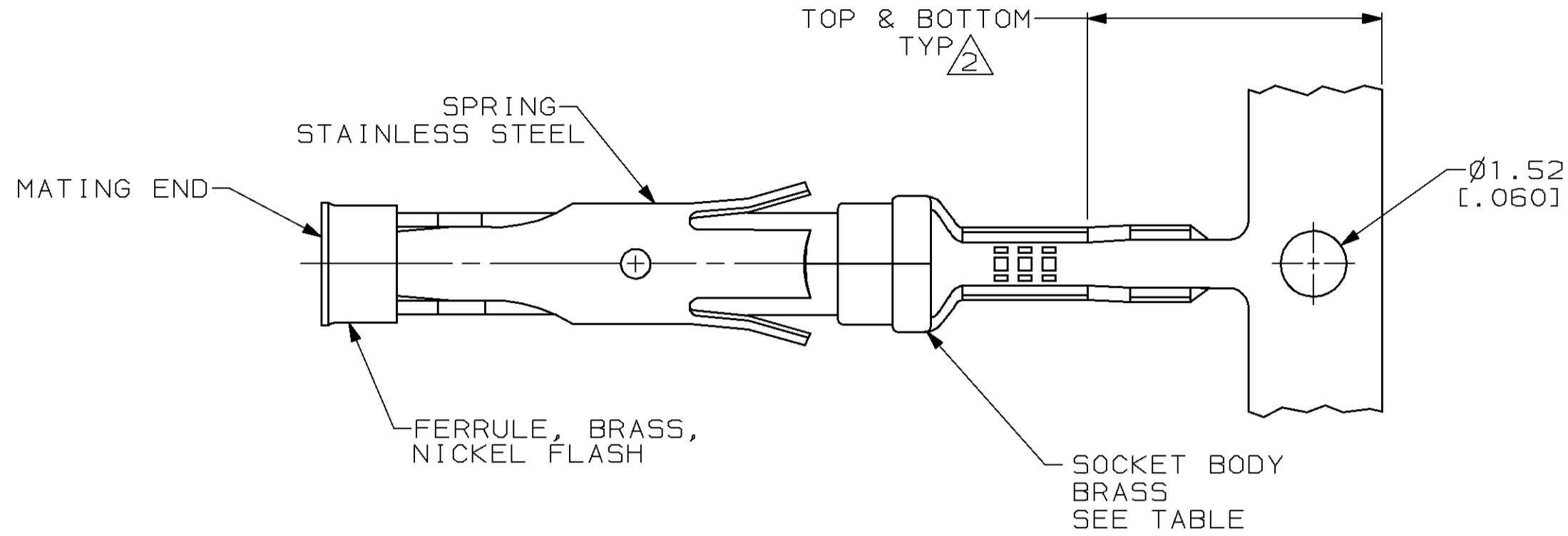
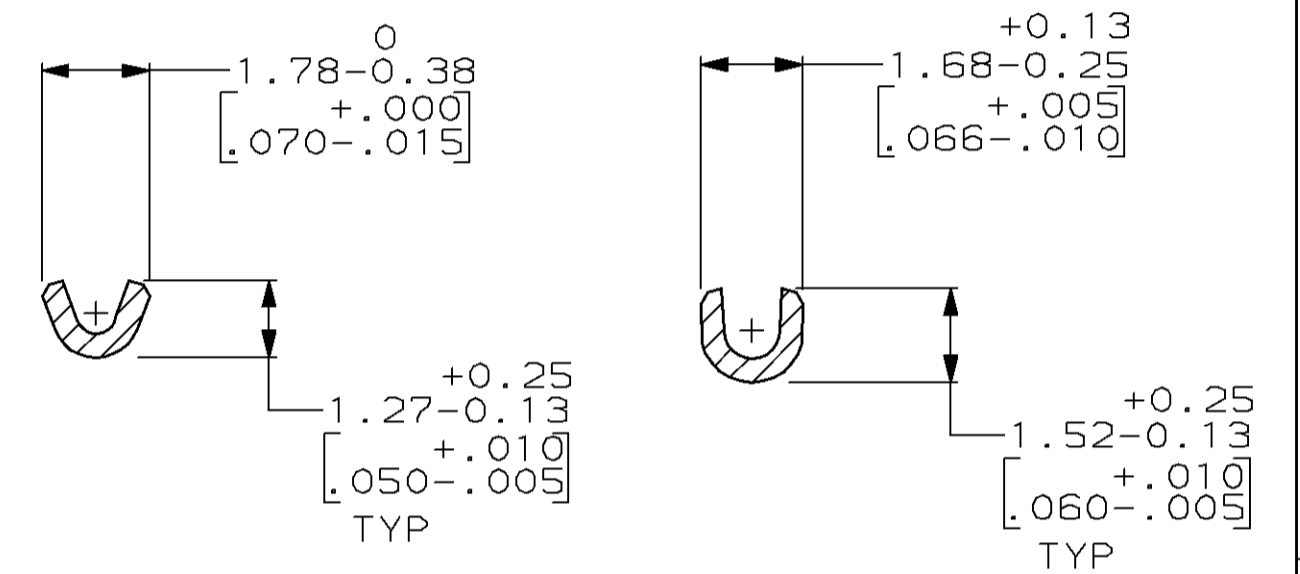
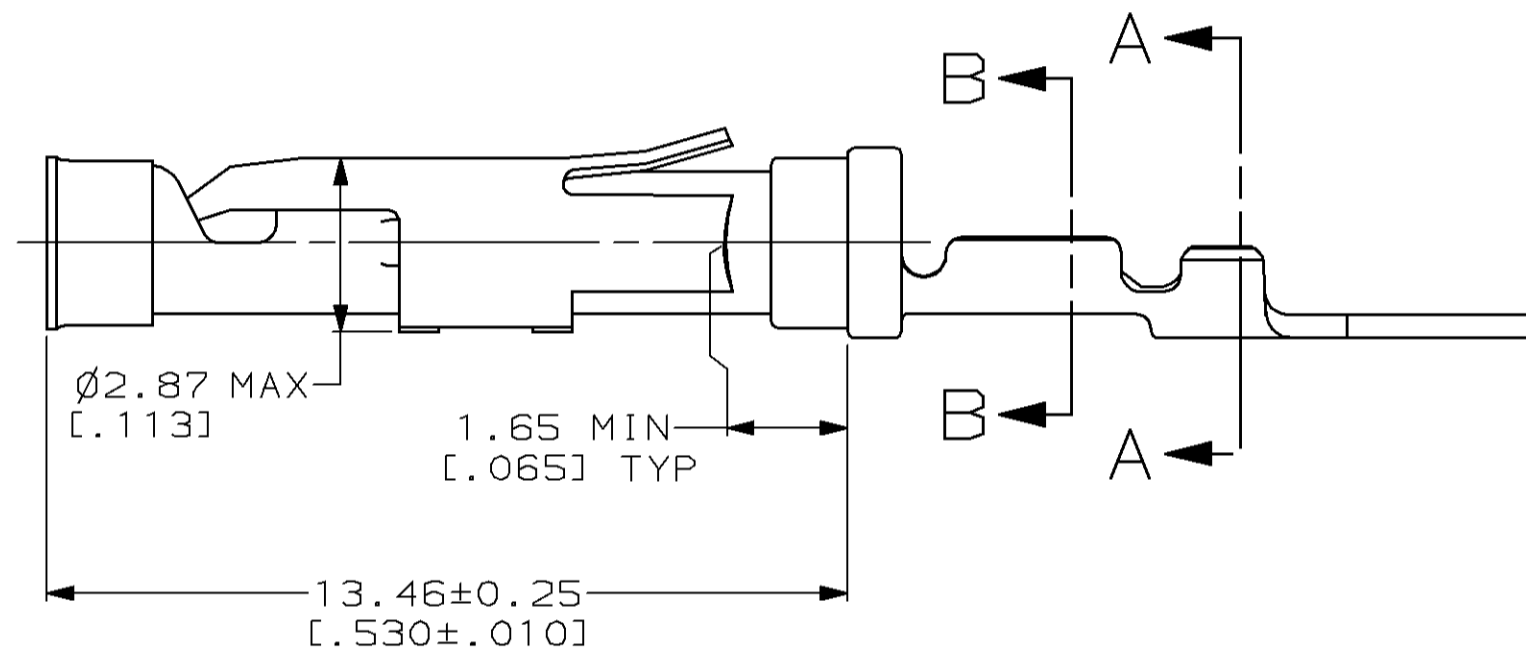
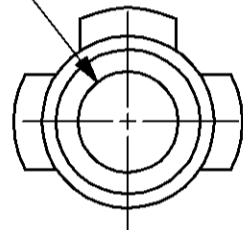


THIS DRAWING IS UNPUBLISHED. RELEASED FOR PUBLICATION  
 BY AMP INCORPORATED. ALL RIGHTS RESERVED.

LOC	DIST	REVISIONS			
P	LTR	DESCRIPTION	DATE	DWN	APVD
		0 RLSE PER NPR 19	21 NOV 96	-	-
		A ADDED -2 PER EC 0320-132-97	25 APR 97	CO	GS
		B ADDED -3 PER EC 0320-201-97	26 JUN 97	MB	GS



Ø1.689±0.051  
[.0665±.0020]



- 1 0.76µm [.000030] MIN GOLD PER MIL-G-45204 ON MATING END FOR A LENGTH OF 5.08 [.200] MIN WITH GOLD FLASH ON THE REMAINDER OVER 0.76µm [.000030] MIN NICKEL PER QQ-N-290.
- 2 GOLD PLATING NEED NOT APPEAR IN THIS AREA .
- 3. REELED FOR MINI-APPLICATOR.
- 4. WIRE RANGE 28-30 AWG. INSULATION RANGE 3.81 [.015]-7.62 [.030] DIA.
- 5 0.38µm [.000015] MIN GOLD PER MIL-G-45204 ON MATING END FOR A LENGTH OF 5.08 [.200] MIN WITH GOLD FLASH ON THE REMAINDER OVER 0.76µm [.000030] MIN NICKEL PER QQ-N-290.

PER DETAIL F	1	788088-3
-	5	788088-2
-	1	788088-1
LOOSE PIECE	FINISH SOCKET BODY	PART NUMBER

THIS DRAWING IS A CONTROLLED DOCUMENT.		DWN C. OBERMAN 21 NOV 96	AMP Incorporated Harrisburg, PA 17105-3608	
DIMENSIONS: mm (INCHES)		CHK R. STONE 22 NOV 96		
TOLERANCES UNLESS OTHERWISE SPECIFIED:		APVD G. STEINHAUER 22 NOV 96		
0 PLC ±-		NAME	SOCKET ASSEMBLY, .062, TYPE III+	
1 PLC ±-		PRODUCT SPEC	108-10042	
2 PLC ±0.13 [.005]		APPLICATION SPEC	114-10004	
3 PLC ±-		WEIGHT	-	
4 PLC ±-		SCALE	A2 00779	
FINISH SEE CALLOUTS		DRAWING NO	C=788088	
MATERIAL SEE CALLOUTS		SCALE	8:1	
CUSTOMER DRAWING		SHEET	1 OF 1	
		REV	B	

788088

B

A